

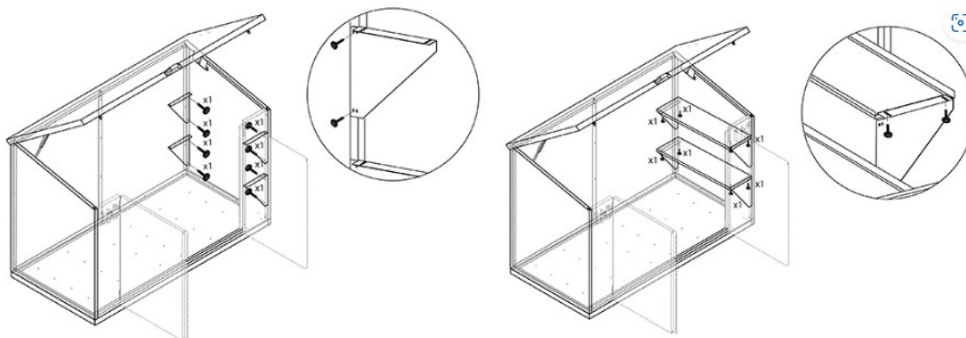
## Shelves for your storage unit

### How to add shelves

Our comprehensive range of metal sheds is a fantastic way of storing all of your garden tools and cycle equipment securely in one place. Produced from thick galvanised (weatherproof) steel as well as featuring an integral metal floor our sheds offer you fantastic security.

However, there are times when you may need to store a little more or even add some extra organisation to your stored belongings. We have put together a range of shelf packs available for our metal sheds, which will allow you to maximise your storage space. Installing a shelf pack also allows you to keep the more fragile equipment off the floor, which in turn makes it easier to navigate inside your storage unit.

All shelf packs are made from the same tough galvanised (weatherproof) steel as our sheds, so you can be certain our shelves are heavy-duty and of the highest quality.



### How to install a shelf

Installing a shelf pack couldn't be simpler, as all our sheds are pre-drilled to accept our shelf packs and even utilise the existing screws currently in your shed. Each shelf comes with 3 or 4 parts depending upon the size of the shelf, this includes; the shelf, right and left-hand brackets, and a supporting bracket (for long shelves only). To assemble the shelf, remove the screws from the shed where your brackets need to be, align the brackets and put the screws back in. Next, place your shelf on the brackets and attach together using the screws provided.

### Positioning of the shelves

Avondale, Glendale, Tarrickdale, Deepdale and Forestdale storage units – shelves are positioned at the side of the shed

Allandale, Silverdale, Swaledale, Clydesdale and Birkdale storage units – shelves are positioned at the back of the shed